

THIS DRAWING IS UNPUBLISHED. RELEASED FOR PUBLICATION AUGUST, 2005.

© COPYRIGHT 2005 BY TYCO ELECTRONICS CORPORATION. ALL RIGHTS RESERVED.

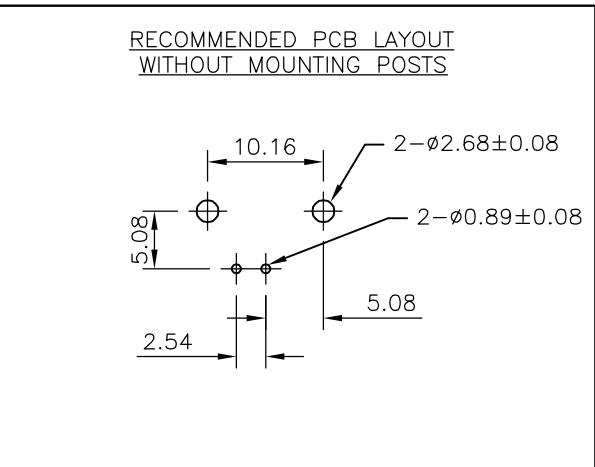
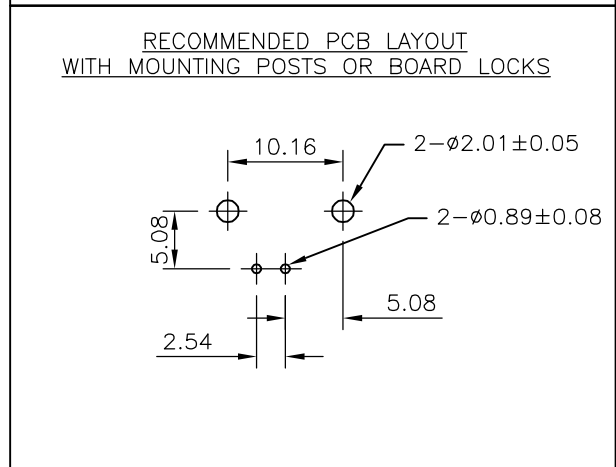
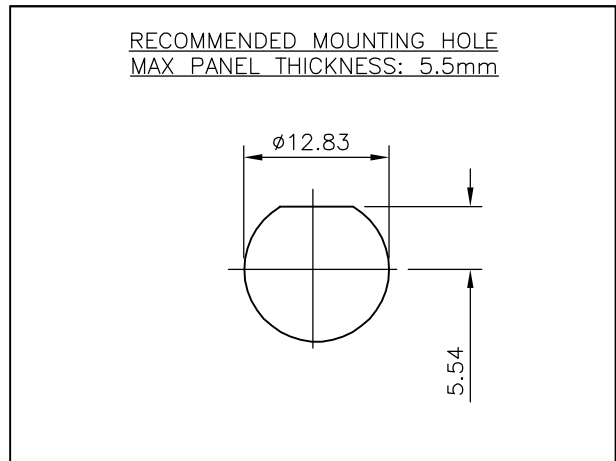
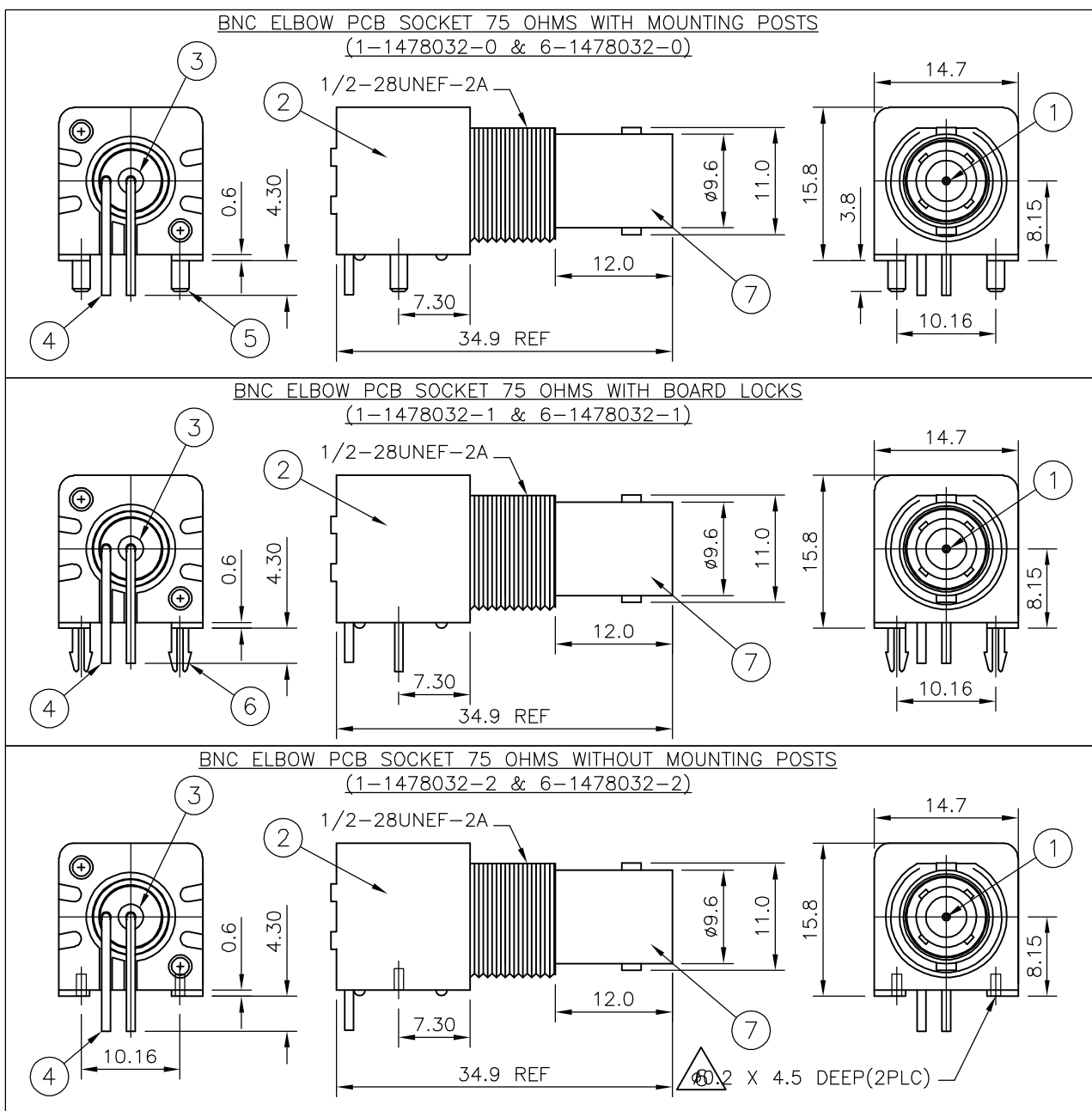
LOC	DIST	REVISIONS					
E	B	P	LTR	DESCRIPTION	DATE	DWN	APVD
		C		ECR-07-003452	13FEB07	JMS	FWK

NOTES:

- 1. SINGLE PACK IN ACCORDANCE WITH AMP SPEC 107-3275
- 2. 50 TRAY PACK IN ACCORDANCE WITH AMP SPEC 107-3275
- 3. GOLD PLATING
- 4. NICKEL PLATING
- 5. TIN PLATING
- 6. RECOMMENDED SELF-TAPPING SCREW 221108-4
- 7. RECOMMENDED MOUNT NUT 1-1634816-0
- 8. RECOMMENDED LOCKWASHER 1-1634817-0
- 9. CHARACTERISTICS

FREQUENCY RANGE:	DC-2GHz
NOMINAL IMPEDANCE:	75 OHMS
WORKING VOLTAGE:	500V RMS
INSULATION RESISTANCE:	5000 MOHMS
DIELECTRIC WITHSTAND VOLTAGE:	1500V RMS
CONTACT RESISTANCE:	
CENTRE CONTACT	1.5 mOHMS
OUTER CONTACT	0.2 mOHMS
- 10. MECHANICAL CHARACTERISTICS

DURABILITY:	50 CYCLES
-------------	-----------
- 11. FOR TECHNICAL DATA REFER TO YOUR LOCAL TYCO ELECTRONICS SALES OFFICE
- 12. ALL DIMENSIONS ARE NOMINAL FOR REFERENCE ONLY UNLESS OTHERWISE STATED



QTY	DESCRIPTION	ITEM
1	ZINC DIECAST	7
2	BRASS	6
2	BRASS	5
1	BRASS	4
1	PE-606	3
1	PBT WHITE	2
1	BRASS	1
6--2	MATERIAL	
1--2	DESCRIPTION	
6--1		
1--1		
6--0		
1--0		

THIS DRAWING IS A CONTROLLED DOCUMENT.

DWN J.SANDWELL 09AUG05
CHK S.PARLOW 09AUG05
APVD F.WHEELER-KING 09AUG05

PRODUCT SPEC: SEE TABLE
APPLICATION SPEC: N/A

WEIGHT: -

MATERIAL: SEE TABLE
FINISH: SEE TABLE

Tyco Electronics Corporation
Bideford, UK, EX39 4HE

BNC R/A INSULATED PCB SOCKET
75 OHM WHITE

SIZE: A3 CAGE CODE: 00779 DRAWING NO: C-1478032

CUSTOMER DRAWING SCALE: 1:1 SHEET: 1 OF 1 REV: C